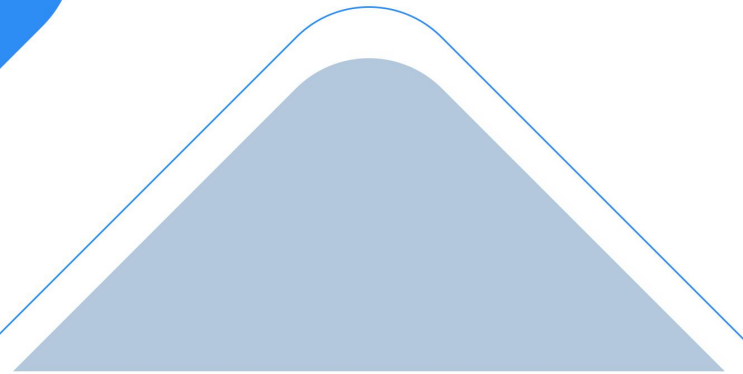


Industrial Router Lite Series UR32L

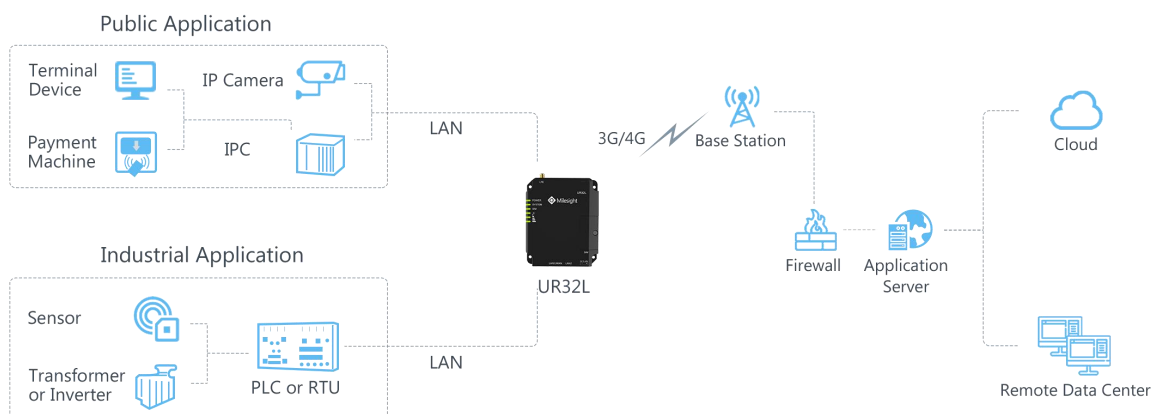


UR32L is a cost-effective industrial cellular router with embedded intelligent features that are designed for multifarious M2M/IoT applications. Global WCDMA and 4G LTE carrier supported make this drop-in connectivity a great help for operators in maximizing uptime. UR32L also has 2 fast Ethernet ports, which delivers users an uninterrupted internet access.

Integrating watchdog and multi-link failover detection, UR32L provides stable communications. Combining DeviceHub and MilesightVPN, UR32L can help you manage network easily and efficiently.

Easy deployment and comprehensive remote device management makes UR32L versatile in most of IoT/M2M applications.

◆ Application Example



◆ Features

Reliable 3G/4G Network

- Global 4G LTE CAT4/3G network with multiple carrier networks
- Automated failover/failback between Ethernet and cellular (SIM card)

Industrial-Grade Design

- NXP industrial grade processor
- Rugged enclosure with IP30 protection for harsh environment
- DIN rail or shelf mounting
- Support wide operating temperature ranging from -40°C to +70°C/-40°F to +158°F

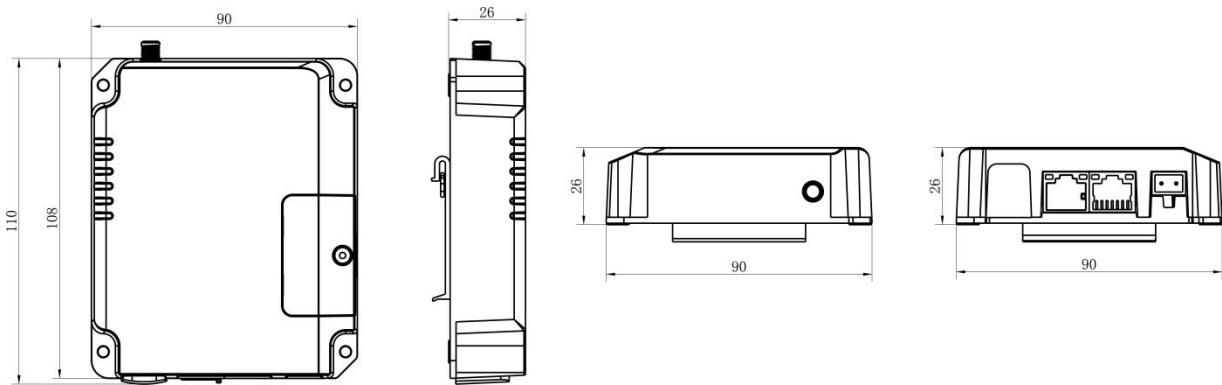
Security & Reliability

- Secure transmission with VPN tunnels like IPsec/OpenVPN/GRE/L2TP/PPTP /DMVPN
- Embeds hardware watchdog to automatically recover from various failures, ensure highest level of availability
- Supports access control lists, DMZ, DDoS Protection, Filters, SPI firewalls
- Establishes a secured mechanism on centralized authentication and authorization of device access by supporting AAA (Radius, TACACS+, LDAP, local Authentication) and multiple levels of user authority

Easy Maintenance

- DeviceHub provides easy setup, mass configuration, and centralized management of remote devices
- The user-friendly web interface design and more than one option of upgrade help administrator to manage the device as easy as pie
- WEB GUI and CLI enable the admin to achieve simple management and quick configuration among a large quantity of devices
- Efficiently manage the remote routers on the existing platform through the industrial standard SNMP

◆ Dimensions(mm)



◆ Specifications

Hardware System

CPU ARM Cortex-A7, 528 MHz

Memory 128 MB DDR3 RAM and 128MB Flash

Cellular Interface

Antenna Connector 1 × 50 Ω SMA Connectors (Center PIN: SMA Female)

SIM Slots 1 (Mini SIM-2FF)

Ethernet Interface

Numbers 2 × 10/100 Mbps

Property 1 × WAN + 1 × LAN or 2 × LAN

Mode Full or half duplex (Auto-Sensing)

PoE 2 × 802.3 af/at PoE PSE on LAN Ports (Optional)

Others

Reset Button 1 × RESET

LED Indicators 1 × POWER, 1 × SYSTEM, 1 × SIM, 3 × Signal strength

Built-in Watchdog, Timer

Software

Network Protocols PPP, PPPoE, SNMP v1/v2c/v3, TCP, UDP, DHCP, RIPv1/v2, OSPF, DDNS, VRRP, HTTP, HTTPS, DNS, ARP, QOS, SNTP, Telnet, VLAN, SSH, etc.

VPN DMVPN, IPsec, OpenVPN, PPTP, L2TP, GRE

Security Access Control, DMZ, Port Mapping, MAC Binding, SPI Firewalls, DoS&DDoS Protection, Filtering(IP&Domain), IP Passthrough

Management Web, CLI, SMS, On-demand dial up, SNMP v1/v2/v3, DeviceHub

AAA Radius, Tacacs+, LDAP, Local Authentication

Multilevel Authority	Multiple Levels of User Authority
----------------------	-----------------------------------

Reliability	VRRP, WAN Failover
-------------	--------------------

Power Supply

Power Connector	2-pin 5.08 mm Terminal Block
-----------------	------------------------------

Input Voltage	9-48 VDC, with Surge-Protection and Reverse Polarity Protection
---------------	---

Physical Characteristics

Ingress Protection	IP30
--------------------	------

Housing	Metal
---------	-------

Dimension	108 x 90 x 26 mm (4.25 x 3.54 x 1.02 in)
-----------	--

Installation	Desktop, Wall or DIN Rail Mounting
--------------	------------------------------------

Environmental

Operating	-40°C to +70°C (-40°F to +158°F)
-----------	----------------------------------

Temperature	Reduced Cellular Performance Above 60°C
-------------	---

Storage Temperature	-40°C to +85°C (-40°F to +185°F)
---------------------	----------------------------------

Ethernet Isolation	1.5 kV RMS
--------------------	------------

Relative Humidity	0% to 95% (non-condensing) at 25°C/77°F
-------------------	---